

# DAX 5000

## Establishing the Raw Density Profile with the Laboratory Density Analyser



GreCon®

# Raw Density Measuring in a Laboratory, using modern X-ray Technology

The data obtained from the laboratory analysis is imperative to verify the information received from the various on-line measuring systems.

## Measuring Principle

Highly accurate, rapid and easy measuring of the density distribution is available for various wooden boards. This is based on an optimized measuring source consisting of an X-ray combination that makes it possible to carry out highly accurate measurements with a speed of up to 1 mm per second.

If the DAX 5000 is combined with other measuring systems, the laboratory work can be even more effective and easy. All the laboratory data obtained are evaluated by a visualization computer and displayed.

## Configuration of the DAX 5000

The DAX 5000 is configured as a complete laboratory system, consisting of an ergonomically designed workstation, the measured value data logger, a scale, an electronic caliper and a visualization computer.

The workstation has space for all components of the measuring system. In addition, it offers sufficient space for „manual“ data processing. The connection cables are routed via integrated cable ducts.

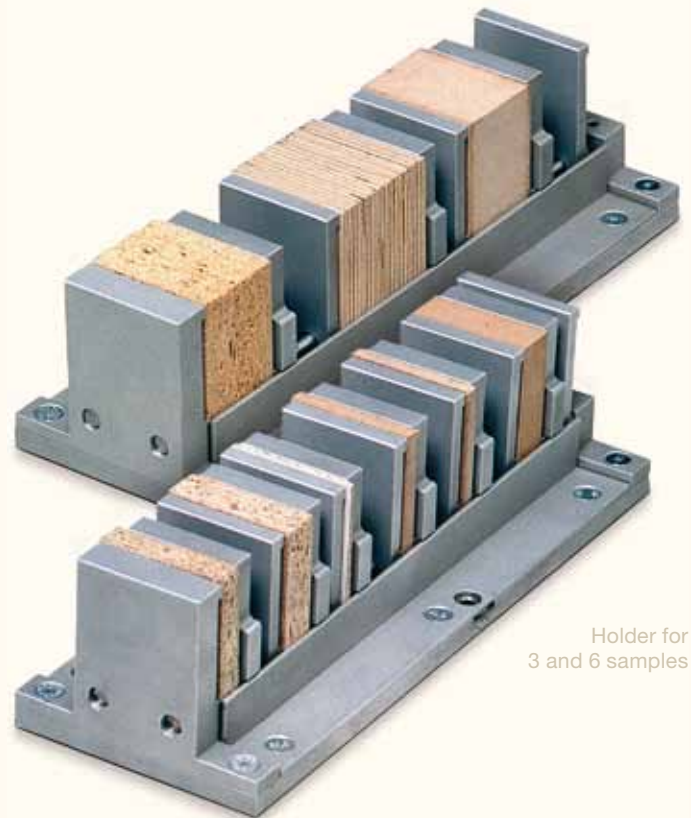
The data logger consists of the controls for the motor driven sample carrier, the X-ray generator and the measuring unit. To protect the operator, the moving parts have been covered by a fibre-glass hood. The effective screening of the measuring area has been approved and restricts the X-rays to the measuring chamber.



Overall view of the entire system

A scale and an electronic caliper are connected to the evaluation system of the DAX 5000. The mechanical dimensions and the weight of the sample to be measured are logged in with the push of a button and automatically stored with the other sample data.

By using a sample holder, several samples taken from the same board or from different boards can be evaluated in a single measuring process. Depending on the thickness of the boards, there are holders for one, three or six samples. For easier handling, the sample holders can be removed from the carrier to insert board samples.



Holder for 3 and 6 samples



Electronic measuring caliper and scale

## The Measuring Process

Measuring takes place in three simple steps. First the known production data of the board samples are entered into the visualisation computer. This data is then allocated to the dimensional and weight values determined with the aid of the electronic caliper and the scale. The holder with wood samples is inserted into the carrier and the measurement is initiated. Within a few seconds, the measured values are available in numerical and graphical form for further analysis.

To obtain measuring results in a constantly high precision, reference measurements are carried out at regular intervals. For this purpose, the sample magazines are equipped with reference samples.

# Software

The extensive DAX 5000 software is based on the Windows operating system and the simple menu structure makes intuitive handling of all program modules possible.

The most important function of the software package is visualization. All the data recorded are protocolled and graphically processed. The information obtained is automatically stored in a database and can be called up for further analysis at any time. The integrated export function can be utilized to make the data available for other programs, for example, tabulation.

Important information on the current measurement, including

- average raw density
- maximum raw density of the top layer
- maximum raw density of bottom layer
- actual position of sanding surface

are shown in numerical form on the screen after the measuring process and their position identified within the raw density profile.

There are also comprehensive functions for an exact evaluation and analysis of the raw density profiles:

- Zoom into sections of the raw density profiles

Individual sections of the profiles can be continuously enlarged or reduced for a more detailed view.

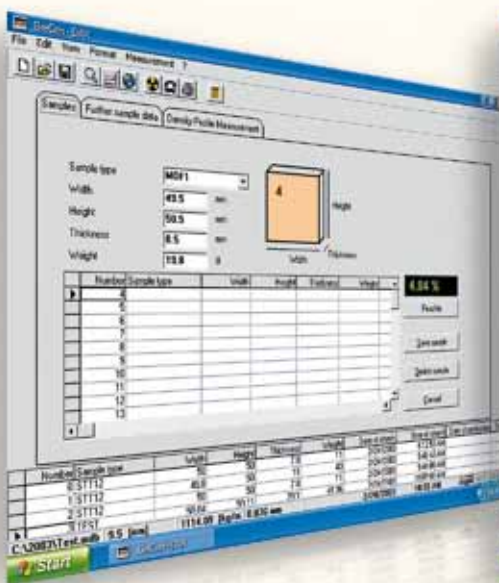
- Comparative measurements of various board samples

Measuring graphs can be overlaid on the screen. This facilitates a comparison of the sanded and unsanded boards or of samples from different production periods. The measuring graphs are clearly colour-differentiated.

- Averaging of different measured values

The measured results of various board samples can be averaged by using an arithmetic function. This improves the assessment of production periods.

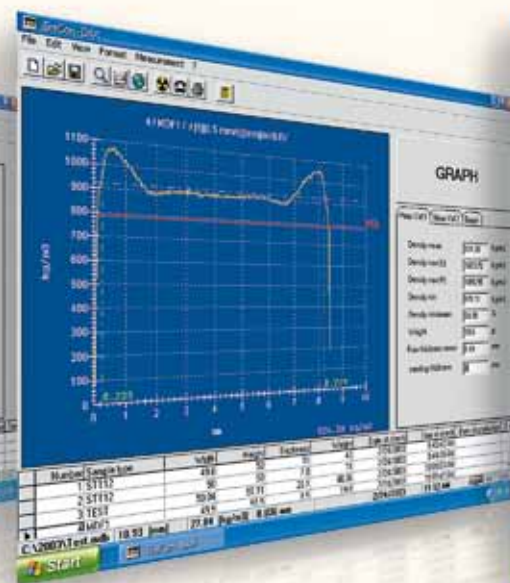
The data obtained and the exact analysis of the bulk density profile allow further conclusions to be drawn about the board characteristics and their utilization, as well as the production process.



Measurement of sample data



Measurement of additional sample data



Graphical representation of general sample data

- Ratio between minimal core-layer density and the average overall density

This information can be used to determine the later utilization of the boards. The ratio between the minimal core-layer density and the average overall density can be utilized to calculate some important technological characteristics of the boards.

- Finding the optimal sanding surface

The information about the maximum raw density and its distance to the surface of the board provides information about the optimal sanding surface. This can be used to control and reduce the amount of material to be sanded.

- Accurate analysis of the protective layer

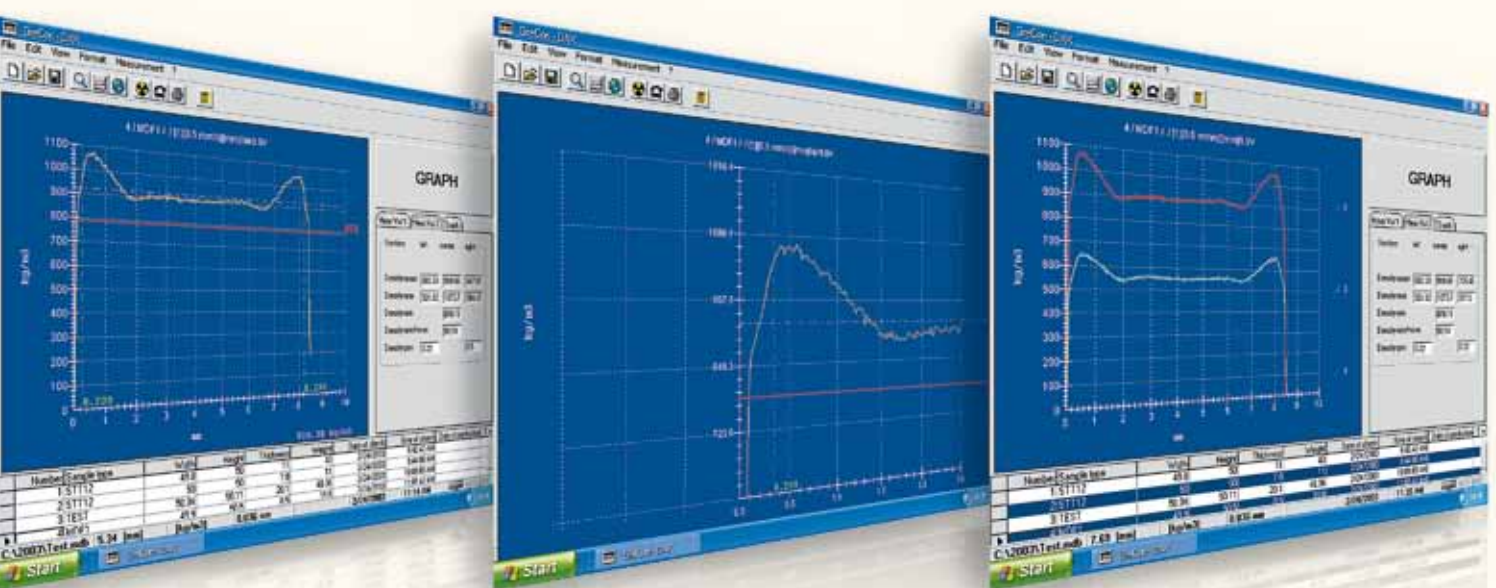
The high positioning accuracy of about 3  $\mu\text{m}$  and the evaluated measuring ranges from 20 $\mu\text{m}$  onwards make it possible to perform an accurate analysis of the raw density distribution in the critical areas of the board surface.

## Network Connections

For the data transmission to higher-ranking process control systems, different network connections, such as OPC or ODBC, are available.

## Online After-Sales Service

GreCon measuring systems are equipped with a modem or VPN, which provides a direct connection to GreCon service when needed. Support, changes in parameters, software updates and trouble shooting are all possible online.



Graphical representation of average values

Detail magnification

Comparison measurement

# Technical Specifications

- Supply voltage: ..... 230 V / 115 V
- Frequency: ..... 50 Hz / 60 Hz
- Power consumption: ..... 750 VA
- Sample dimensions: ..... 50 x 50 mm ± 1 mm  
2 inch x 2 inch ± 0.04 inch
- Material sample: ..... Wood compounds
- Measuring range: ..... up to 1500 kg/m<sup>3</sup>  
94 lbs/cuft
- Feed speed: ..... from 0.05 to 1 mm/sec  
0.002 to 0.04 inch/sec
- Increments: ..... 10 µm
- Calibration: ..... semi-automatic  
with internal calibration
- Measuring accuracy: ..... ± 1% of measuring range
- Number and maximum  
sample thickness for:  
Holder 1: ..... 6 samples up to 20 mm  
up to 0.75 inch
- Holder 2: ..... 3 samples up to 50 mm  
up to 2 inch
- Holder 3: ..... 1 sample up to 150 mm  
up to 6 inch (optional)
- Ambient temperature: ..... 15 to 35 °C  
59 to 95 °F
- Relative humidity: ..... max. 60 %

## References

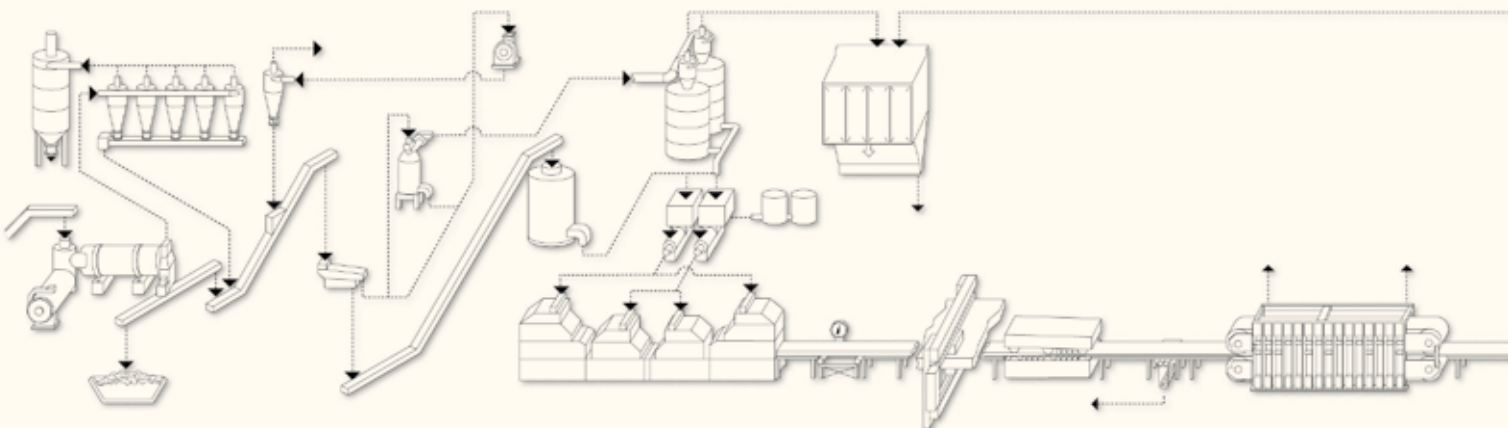
- Particleboard / MDF board / OSB board /  
HDF board / Hardboard

## Technical Features

- Solid basic construction
- Highly accurate linear drive with 1,25 µm increments
- X-ray technology (no permanent radioactive source)
- Measuring resolution 10 µm (local resolution)
- Measuring speed of 0.05 to 1 mm/s  
(e.g. a 19 mm sample is measured in 20 seconds)
- Various sample types such as: chipboard, MDF, OSB,  
LVL, laminated wooden boards,  
but no gypsum- or cement-bonded boards
- Geometrical sample data are transmitted via an  
electronic caliper
- The weight of the sample is electronically recorded  
with the aid of a scale

## Interface with other Systems

Ever-increasing production capacities have brought about a corresponding increase in the number of board samples to be measured, as well as the laboratory service and equipment requirements. Efficient laboratory work is guaranteed by interfacing the DAX 5000 with other laboratory measuring systems.



## MWF 5000 LM

---

The laboratory moisture measuring system MWF 5000 LM can be fully integrated into the DAX 5000 system. This system works on the microwave measuring principle and automatically determines the moisture content of the entire board sample, after which the measuring result is stored with the other sample data.

## STENOGRAPH

---

A particularly useful combination is the use of the laboratory raw density profile measuring device DAX 5000 and the inline raw density profile measuring device STENOGRAPH. When used as part of the continuous production process, the StenOgraph provides all the data required to optimize production. If unusual developments should be observed in certain board ranges, these can be investigated and accurately evaluated in the laboratory by using the DAX 5000.

## Why GreCon

---



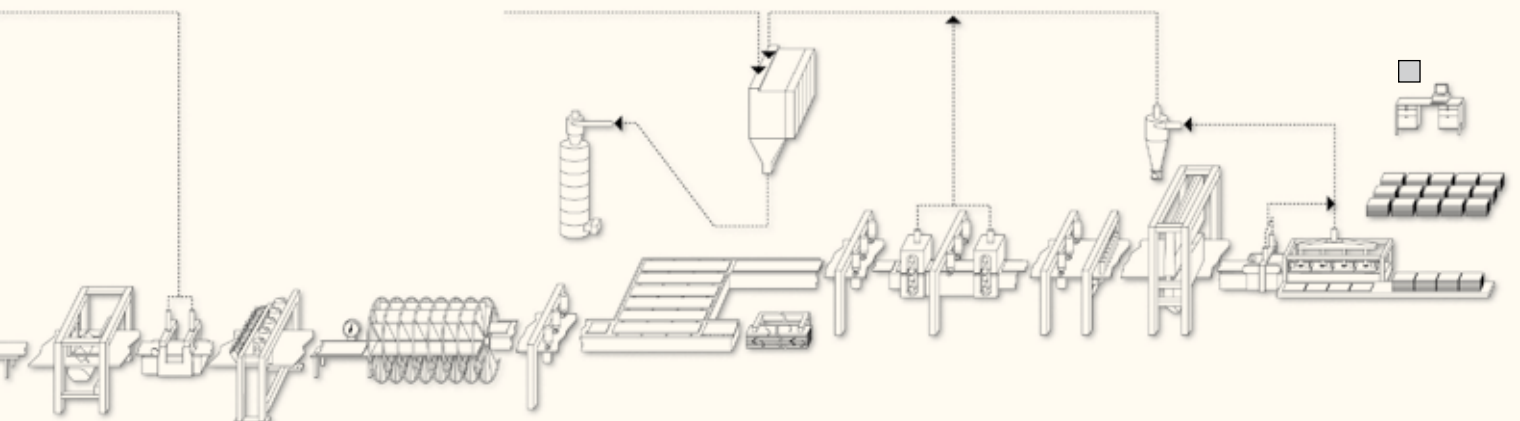
- Fast check of the density profile in the laboratory
- Clear display of the consequences of changes in the production (intentional or unintentional)
- Display of optimisation potentials
- Reliable measured values
- Flexible use with various product alternatives
- Automatic reference measurement
- The system complies with the x-radiation protection requirements
- Low maintenance required

## Your Benefit

---



- Density profile available within a few seconds
- Several profiles superimposed in one graphic = production control
- Material savings by checking, seeing, understanding, changing
- Easy data export (Excel)
- Can be combined with further laboratory measuring devices
- Quick amortisation





OUR HEADQUARTERS AT ALFELD - BUILT BY WALTER GROPIUS IN 1911

## GreCon

15875 SW 74th Ave.  
Tigard, Oregon 97224

TEL: (503) 641-7731  
FAX: (503) 641-7508  
E-MAIL: [sales@grecon-us.com](mailto:sales@grecon-us.com)  
WEB: [www.grecon-us.com](http://www.grecon-us.com)

